

CABLE 140 RF: RF CABLE ASSEMBLY, HIROSE H.FL + TNC STRAIGHT BULKHEAD JACK WITH O-RING RATED TO IP67/68 + MULTIPLE CABLE SIZES

SPECIFICATIONS :

1. HIROSE H.FL PLUG (H.FL-LP)
2. SEE CABLE SIZE OPTIONS.
3. TNC STRAIGHT BULKHEAD JACK WITH O-RING RATED TO IP67/68, P/N: RFCT-TNC006-F78.

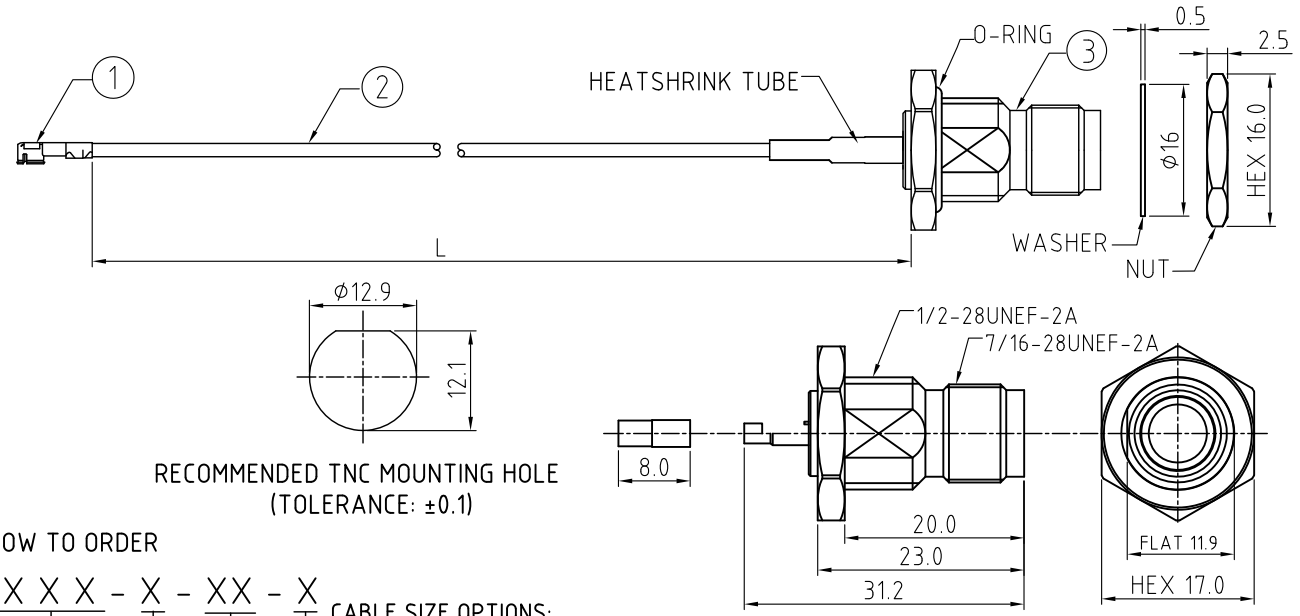
ENVIRONMENTAL:

- A. BULKHEAD MOUNTED CONNECTOR (RFCT-TNC006-F78) RATED TO THE FOLLOWING SPECIFICATION:
- i. IP6X - DUST TIGHT - NO PARTICLE INGRESS.
 - ii. IPX7 WATERPROOF FOR 30 MINUTES UP TO 1 METER UNDERWATER.
 - iii. IPX8 WATERPROOF FOR 48 HOURS AT 1 METER UNDERWATER.

NOTES:

1. THE ORIENTATION OF CONNECTORS ON DRAWING IS FOR REFERENCE ONLY, IF THE ORDER IS LEFT BLANK THE CONNECTOR WILL NOT HAVE FIXED ORIENTATION.
2. FIXED ORIENTATION IS SUGGESTED FOR CABLE LENGTH 25MM TO 100MM. PLEASE SPECIFY THE FIXED ORIENTATIONS FROM THE ORDER CODE (F1, F2, ETC)
3. CONTACT GRAD CONN IF THE ORIENTATION YOU REQUIRE IS NOT SHOWN.
4. WORKING FREQUENCY RANGE: DC-3GHz
5. OPERATING TEMPERATURE: -40°C TO +85°C
6. IMPEDANCE: 50 OHM

USAGE PRECAUTIONS: CABLES USING 'MICRO' COAX ARE DELICATE:
 (i) HANDLE WITH CARE.
 (ii) DO NOT TWIST; APPLY EXCESSIVE FORCES OR SHARP BENDS TO THE CABLE. DO NOT FORCEFULLY DEFORM WIRES.
 (iii) CONSULT CONNECTOR MANUFACTURER'S DATASHEETS FOR DETAILED NOTES ON HANDLING INSTRUCTIONS.



RECOMMENDED TNC MOUNTING HOLE (TOLERANCE: ±0.1)

TNC DETAIL DRAWING

HOW TO ORDER

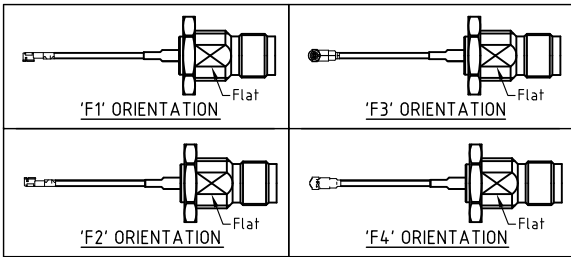
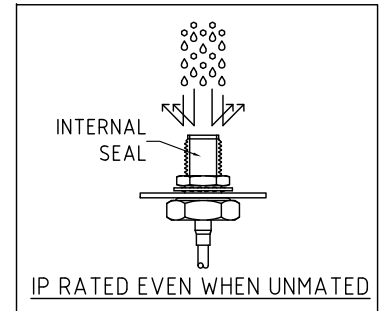
CABLE 140 RF - XXX - X - XX - X

"L" LENGTH IN MM
 eg: 100MM = 100
 (MIN. 025-MAX.400)
 STANDARD = 100, 150, 200
 Tolerance: <50mm : ±2mm.
 51-200mm: ±5mm.
 201-400mm: ±7mm.

CABLE SIZE OPTIONS:
 0 = Ø1.48MM CABLE, COLOR: BLACK
 1 = Ø1.32MM CABLE, COLOR: BLACK

ORIENTATION OPTIONS:
 BLANK = DOES NOT HAVE A FIXED ORIENTATION
 F1 = H.FL CONNECTION DOWN (L=25-200MM)
 F2 = H.FL CONNECTION UP (L=25-200MM)
 F3 = H.FL CONNECTION AND D FLAT SAME ORIENTATION (L=25-200MM)
 F4 = H.FL CONNECTION AND D FLAT OPPOSITE ORIENTATION (L=25-200MM)
 (SEE NOTES 1, 2, 3 AND DIAGRAMS FOR MORE INFORMATION)

WASHER AND NUT OPTIONS:
 BLANK = SEPARATELY PACKED (STANDARD)
 A = ASSEMBLED WITH CONNECTOR



REV. DATE & DRN	11 25/02/16 - NYW RELEASE
12 30/05/16 - NYW ADD IAS INFORMATION	
13 20/05/17 - NYW DIMENSION	
14 22/03/18 TNC P/N TYPO CORRECTION	
15 17/11/20 - NYW ADD NOTES 2, 6, 7	
16 07/12/20 NYW ADD TYPING OPTION	
17 22/01/21 - NYW REPLACE TNC CONNECTOR WITH RFCT-TNC006-F78 (D FLAT=H.FL)	
18 09/07/23 - NYW ADD TYPING OPTION 1	
19 29/07/24 - CC ADD IP RATING VIEW	

Scale: NTS	THIRD ANGLE	Unstated Tolerances: .X N/A .XX N/A .XXX N/A ANGLES N/A
Drawn: CC		
App'd: XXX	Title CABLE ASSEMBLY	
Date: 25 FEB. '24	Revision: 1.9	Unit: mm



IP Rated RF Products
 www.gradconn.com
 THIS DRAWING IS CONFIDENTIAL AND MUST NOT BE COPIED OR DISCLOSED WITHOUT WRITTEN CONSENT

Type: Cable 140 RF
CABLE 140 RF
Drawing Number:
Sheet 1 of 1
Drawing © E and O E